

# PYLE

## OWNER'S MANUAL

### PLD-169U



COLORFUL LATTICE LCD SCREEN DISPLAY  
FOLD DOWN DETACHABLE PANEL  
CAR DVD/VCD/WMA/CD/MP3 PLAYER/RECEIVER WITH  
USB PORT

[www.pyleaudio.com](http://www.pyleaudio.com)

*Thank you for buying this product.*

Please read through these operation instruments so you will know how to operate your model properly. *After reading please keep this booklet in safe place for future reference.*

## 1 Before You Start

- Important Safeguards* 4
- About this manual* 4
- Precautions* 6
- Maintenance* 6
- Location & function of the controls* 7
- Remote control* 8
- Specifications* 11

## 2 Installation

- Wiring Connections* 12
- Installation* 13
- Detach the Unit* 16
- Cleaning the Connector* 16

## 3 Common Operations

- Reset the Unit* 17
- Turning the Unit On/Off* 17
- Volume Control* 17
- Setting the Sound Characteristics* 17
- EQ Setting* 17
- Turning Loudness On/Off / My Best Position* 18
- Mute Function* 18
- Displaying and Adjusting Time* 18
- Force Disc Out* 18
- Mode Selector* 18
- Infrared Sensor* 18
- AUX In (optional)* 18

## 4 DVD

- Playing a DVD* 18
- Select tracks fast* 18
- Repeat Playing* 18
- Number Buttons* 18
- Stop the Playback* 18
- Pause the Playback* 18
- Playing the Track FF/REW* 18
- System Switch* 20
- Slow Motion Playback* 20
- Increase Picture Size* 20
- On Screen Display* 20
- DVD playing setting* 20
- Changing the Angle of View* 20
- Changing Audio Language* 21
- Changing the Subtitle Language* 21
- Selecting Different Menu/Title* 21
- Set Up Menu* 21

## 5 VCD/CD/MP3/USB

- Basic Operation of Discs/USB* 28
- Playing the Previous/Next Track* 28
- Playing the Track FF/REW* 28
- Repeat Playing* 28
- Playing Tracks in Random Order* 28
- Stop the Playback* 28
- Pause the Playback* 28
- Scanning Tracks Automatically* 28
- ID3 Function* 28
- System Button* 28
- Slow Motion Playback* 28
- Increase the size of image* 28
- On-Screen Display* 28
- Eject a disc* 28

<i>Number buttons</i>	30
<i>Playback time setting</i>	30
<i>Channel selecting</i>	30
<i>Program playing</i>	30
<i>Playing PBC (Menu)</i>	30
<i>Exit an USB</i>	30

## 6 MP4

<i>Playing a Mp4</i>	31
<i>Stop playing</i>	31
<i>Pause playing</i>	31
<i>On-screen display</i>	31
<i>Number button</i>	31
<i>Playback time setting</i>	31

## 7 Tuner

<i>Band Selector</i>	32
<i>Manual/Automatic Tuning</i>	32
<i>DX/LOC Selector</i>	32
<i>MO/ST Selector</i>	32
<i>Scanning/Memorizing Stations</i>	
<i>Automatically</i>	33
<i>Number buttons</i>	33
<i>Selecting the Stored Station</i>	33

## 8 Additional Information

<i>Simple Troubleshooting Guide</i>	34
-------------------------------------	----

## IMPORTANT SAFEGUARDS

1. **Be sure to connect the color coded leads according to the diagram. Incorrect connections may cause the unit to malfunction or damage the vehicle's electrical system.**
2. **Be sure to connect the speaker (-) leads to the speaker (-) terminal. Never connect the left and right channel speaker cables each other or to the vehicle body.**
3. **Make sure all the connections are completely correct before turning on your unit.**
4. **When replacing the fuse(s), the replacement must be of the same amperage as shown on the fuse holder.**
5. **Do not block vents or radiator panels. Blocking them will cause heat to build up inside and may result in fire.**
6. **After completing the installation and beginning to play the unit(including replacing the battery), please remove the front panel at first, and then press RESET button on the base with pointed object (such as ball-point pen) to set the unit to initial status.**

## About this manual



This unit features a number of sophisticated functions ensuring superior operation. All the functions have been designed for the easiest possible use, but many are not self-explanatory. This manual will help you understand the functions and operations of the unit. This manual main explains **remote control operation**. However, in addition to those functions related with DVD/VCD/CD/MP3 operation that can only be operated by the remote control, there are also functions can be operated by the buttons provided for the main unit.



# Before You Start

## PRECAUTIONS

This unit can play the following discs only:

Type of disc	Label on the disc	Recorded material	Size of disc
DVD		Sound and moving pictures	12cm
VCD		Sound and moving pictures	12cm
CD		Sound only	12cm
MP3		Sound only	12cm
MPEG-4		Sound and moving pictures	12cm

**NOTE:** The unit is compatible with VCD1.0/2.0/3.0 version and DVCD disc.

- **Do not attempt to modify the unit, modifying the unit may cause an accident.**
- **Stop the vehicle before carrying out any operation that could interfere with your driving.**
- **Do not work in extremely high or low temperature. Be sure the temperature inside the vehicle is between +60° C and -10° C before turning on your unit .**
- **To enjoy optimum sound and images while playing, handle the discs as follows:**

—Handle the disc by its edge to keep the disc clean, and do not touch the surface.



—Do not use your CDs with paste residue or ink attached.



—Do not use CDs with labels or stickers attached, which may leave a sticky residue while beginning to peel off.

(Shown as the picture)



—Clean the discs with an optional cleaning cloth. Wipe each disc from the center out.

(Shown as the picture)



## Maintenance

### Replacing the Fuse

Make sure the amperage matches the specified value when replacing the fuses. If the fuse is blown, check the power connection and replace with a new one. If the same problem occurs, it would be subjected to the malfunction. In such cases, please consult to the nearest service dealer.

#### **▲ Warning**

*Never use the fuse with the rated amperage more than that supplied to your unit, otherwise it will damage the unit.*

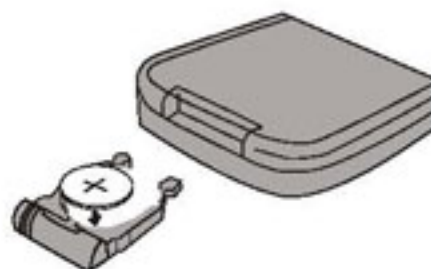
### Replacing the Battery

When the range of the operation of the card remote control becomes short or no functions while operating. Replace the lithium battery with a new button cell (CR2025). Make sure the battery polarity before replace.

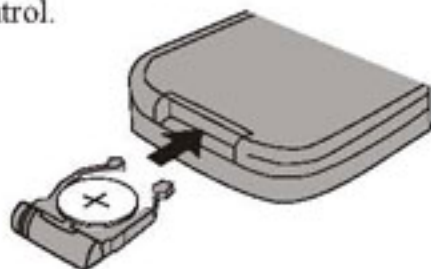
Gently pull out the Battery Holder while pressing the Stopper.



Put the button-type battery with mark(+) upward into the Battery Holder.



Insert the Battery Holder into the Remote Control.



### Precautions on Using Lithium Battery

Always keep the lithium battery beyond children's reach. In case swallowed, see a doctor immediately.

Cleaning the battery with a dry cloth, to ensure its perfect connected.

Make sure the proper polarity when loading with the battery.

To prevent short circuit, do not use metal tweezer to clip the battery.

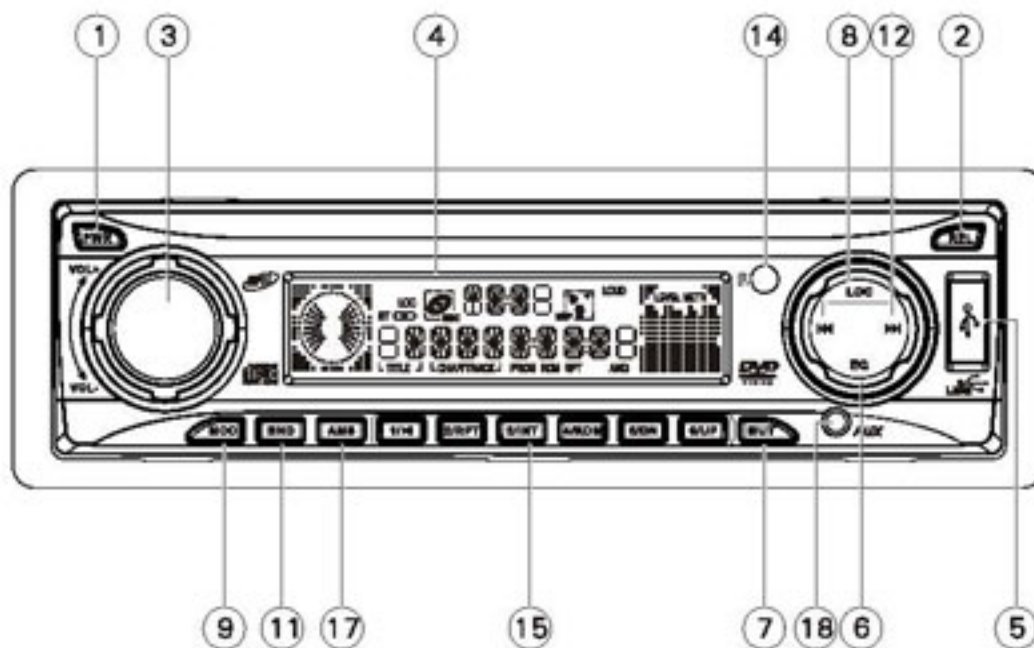
#### **▲ Warning!**

*Improper handle with the battery may lead to explosion. It cannot be charged, disassembled or thrown into a fire.*

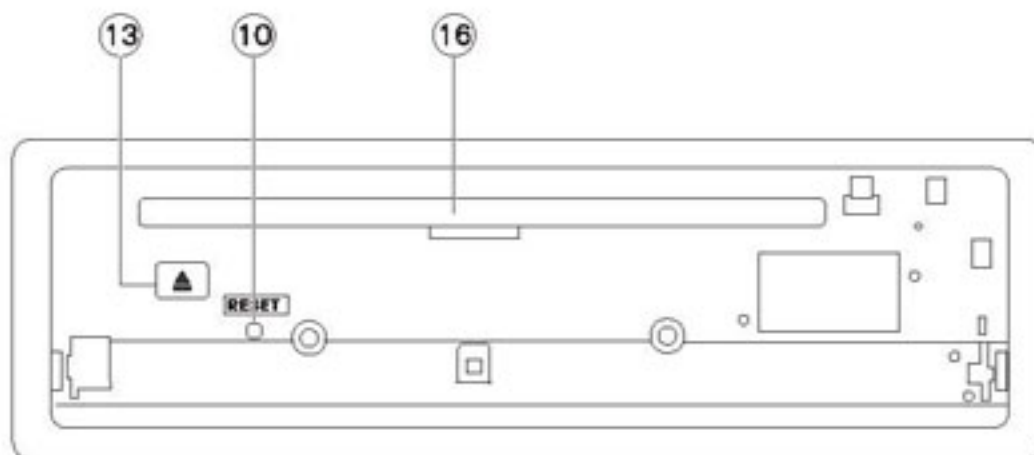
# Before You Start

## Location of the Controls

### Front Panel



### Base

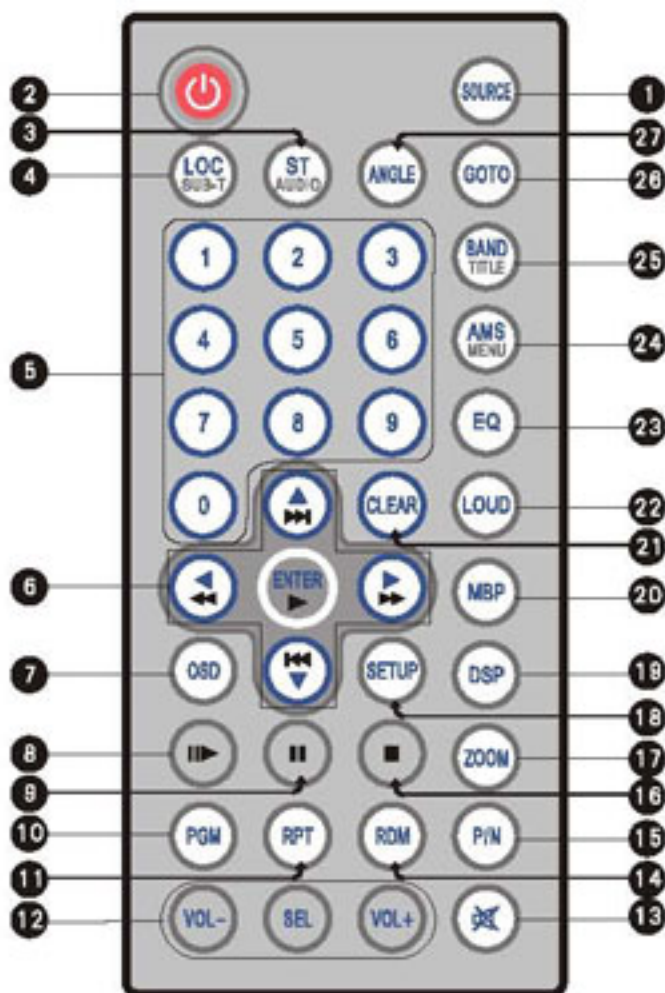


# Before You Start

- ① **POWER button**  
Press this button to turn on the unit, press it again to turn off.
- ② **REL button**  
Press REL button to release the front panel.
- ③ **VOL/SEL button**  
Rotate (VOL) button clockwise to increase the volume level; and rotate (VOL) button anticlockwise to decrease the volume level. Press it to set the volume characteristics.
- ④ **LCD (LIQUID CRYSTAL DISPLAY)**  
To display current status.
- ⑤ **USB Loading Slot**
- ⑥ **EQ button**  
Press to select the corresponding preset modes to adjust the sound quality perfectly.
- ⑦ **MUT button**  
Press it to mute.
- ⑧ **LOC button**  
Press it to select the long distant or local station.
- ⑨ **MODE button**  
Press to select radio mode or playback mode.
- ⑩ **RESET button**  
Press to set the unit to initial status.
- ⑪ **BAND (ID3) button**  
During radio mode, press to select among three FM or one AM bands. During MP3 mode, press it to activate ID3.
- ⑫ **▶▶ / ◀◀ (SEEK+/SEEK-) button**  
Repeatedly press to do manual seek tuning and track search controls.
- ⑬ **▲ EJECT button**  
Briefly pressing it to eject the disc. Keep pressing it to eject the disc compulsively.
- ⑭ **Infrared Sensor**
- ⑮ **NUMBER BUTTONS**  
During radio mode, press for preset tuning; during playback mode, press for activating ▶▶, RPT, INT, RDM, DOWN, UP functions.
- ⑯ **DISC Loading Slot**
- ⑰ **AMS button**  
During radio mode, briefly press this button to scan each stored station of the number buttons 5 seconds; keep pressing it to activate the searching and autosave function.
- ⑱ **AUX In**



## Card Remote Control



### Tips:

For more information as to replacing battery, please refer to **Replacing the Battery** on page 6.

- ❶ SOURCE  
Press it to select the desired mode.
- ❷ PWR  
Press to turn on or off the unit.
- ❸ ST/AUDIO  
During radio mode, press it to select the mono or stereo channel; during DVD mode, press it to select the audio language.
- ❹ LOC/SUB-T  
During radio mode, press it to select the distant or local station; during DVD mode, press it to select the subtitle language.
- ❺ 0~9 (Number) Buttons  
During radio mode, press 1-6 buttons to select the preset stations; during playback mode, press to select track directly.

# Before You Start

- 6** [▲][▼][◀][▶][ENTER]/[⏮]/[⏪]/[⏩]/[⏭] ([upward][downward][leftward][rightward][enter]/[previous track][next track]/[adjusting the frequency/searching stations/F.F/FR.] Button
- 7** OSD  
Press to display title, chapter, the elapsed time, remain time.
- 8** ▶  
During playback mode, press it to slowly forward.
- 9** ||  
Press it to pause or start the playback. Under the stop status, press it to play.
- 10** PGM  
Press it to activate the program playing.
- 11** RPT  
During playback mode, press it to start the repeat playing function.
- 12** VOL+/VOL-/SEL  
Press VOL+ to increase volume level, and press VOL- to decrease volume level. Repeatedly press to select modes.
- 13** MUTE  
Press it to cut down the volume output, press it again to resume volume.
- 14** RDM  
During playback mode, press it to play tracks at random order.
- 15** P/N  
During DVD, VCD status, press it to select the video system.
- 16** ■  
Press it to stop playing.
- 17** ZOOM  
Press it to increase or decrease the picture in size.
- 18** SETUP  
During playback mode, press it to switch among the different setup options.
- 19** DSP  
Press it to display current time.
- 20** MBP  
Press it to activate MBP function.
- 21** CLEAR  
Press it to eradicate mistakes.
- 22** LOUD  
Press it to activate LOUD function.
- 23** EQ  
Press it to select the corresponding preset modes to adjust the sound quality.
- 24** AMS/MENU  
During radio status, shortly press it to scan the each stored station 5 seconds; keep pressing it to activate the AMS function. During VCD/DVD playback, press it to display the root menu of the disc.
- 25** BAND/TITLE (ID3)  
During radio mode, press to select bands. During DVD status, press it to select different titles. During Mp3 mode, press it to enter ID3 mode.
- 26** GOTO  
press it to set the playback time.
- 27** ANGLE  
Press it to change the viewing angle during DVD playback.

# Before You Start

## Specifications

### General

Power Requirement	14.4V DC (11-16V allowable)
Load Impedance	<b>4Ω</b>
Max.Power Output	60W X 4
Tone Controls	±10dB Bass 100Hz Treble 10KHz
Dimensions	Approx. 192 x 178 x 50 mm (d/w/h)
Mounting Dimensions	Approx. 169 X 182 X 53 mm (d/w/h)
Weight	Approx. 1.75kg

### FM Section

Tuning Range (Optional)	87.5-108(MHz) (Europe) 87.5-107.9(MHz) (U.S.A.) 65-74(MHz) (Russia)
IF Range	10.7MHz
Usable Sensitivity (-30dB)	10dBuV
Signal-to-noise Ratio	60dB
Stereo Separation	30dB (1KHz)
Frequency Response	30-15000Hz

### AM Tuner Section

Frequency Range (Optional)	522-1620(KHz) (Europe/Russia) 530-1710 (KHz) (U.S.A.)
IF Range	450KHz
Usable Sensitivity (-20dB)	28dBuV

### CD Player Section

VCD Signal System	PAL/NTSC
Signal-to-noise Ratio	65dB
Separation	60dB(1KHz)
Distortion	0.1%

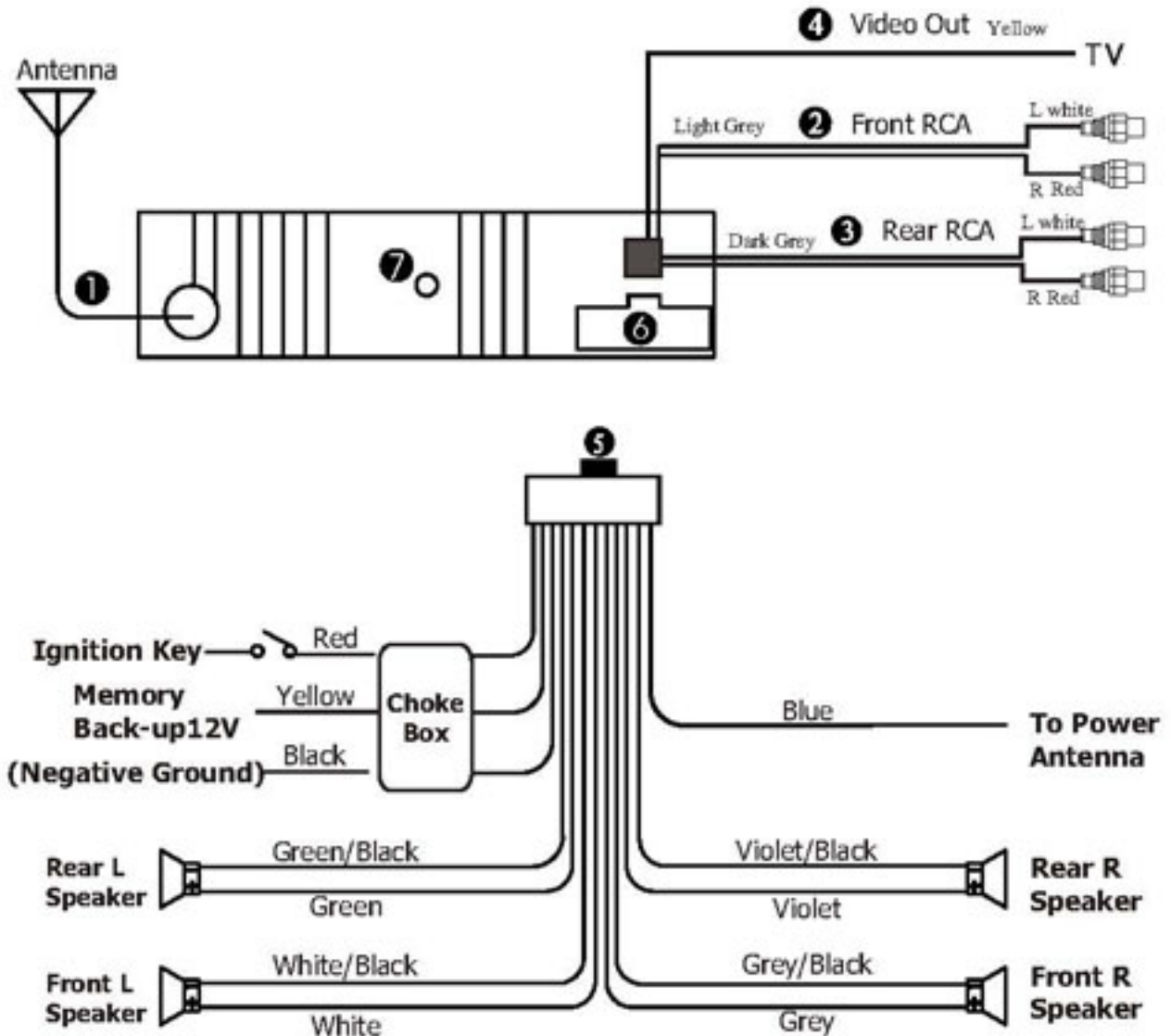
### DVD Player Section

Number of channel	2 channels
Frequency Response	5Hz to 20,000Hz
Dynamic Range	98dB
Signal-to-Noise Ratio	73dB
Wow and Flutter	Less than measurable limit

Note:

**Due to continuous product improvement, specifications and design are subject to change without prior notice.**

## Wiring Connection



❶ Antenna Receptacle

❷ Front RCA

❸ Rear RCA

❹ Video Out Receptacle

❺ Output Plug (Male)

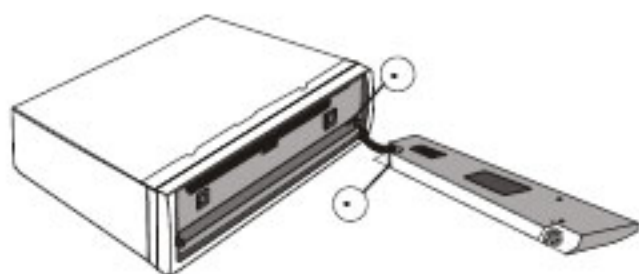
❻ Output Socket (Female)

❼ Screw Holes

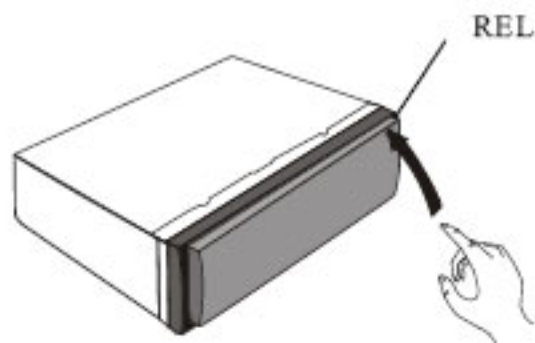


## Install the Front Panel

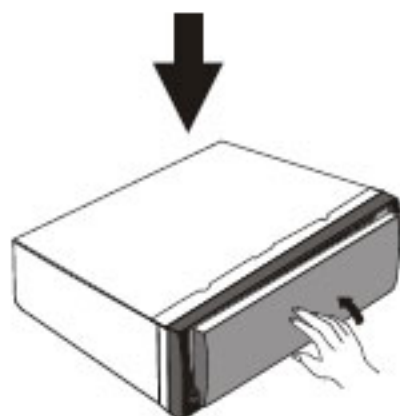
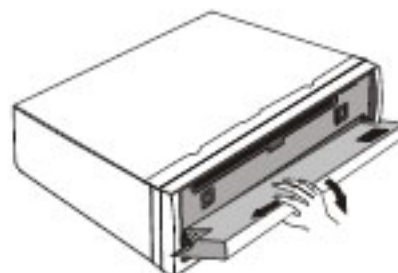
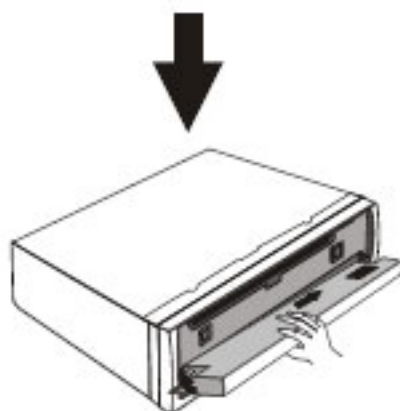
Put notch (A) (Shown as picture) onto shaft (B). And then slightly press into the right side.



Press (2) (REL) button in the upper right corner, and then the front panel will be folded down.



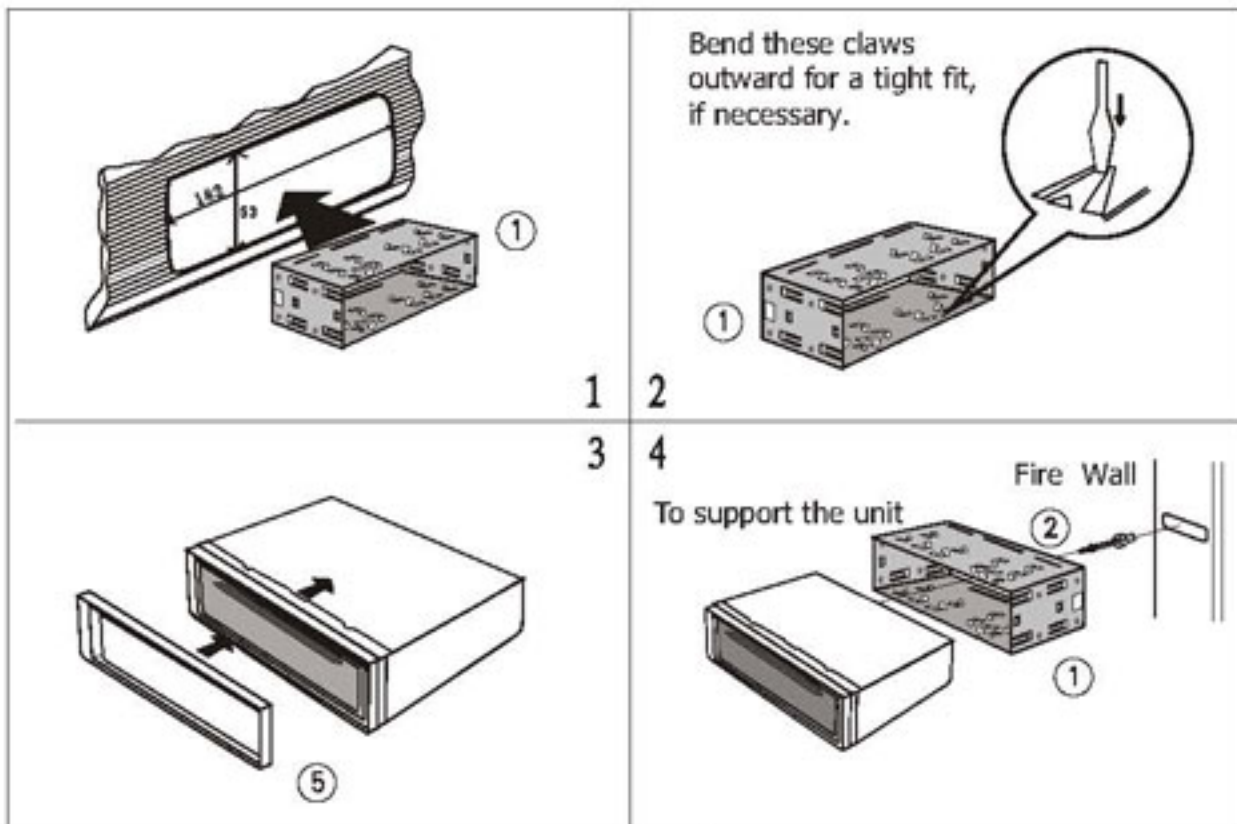
When the front panel was turned down to a position of 45°, hold and slide the front panel to left, and then pull it out.



■ **Note:**

- \* Never put any objects into the front panel.

### Installation Method ① : DIN Front-Mount



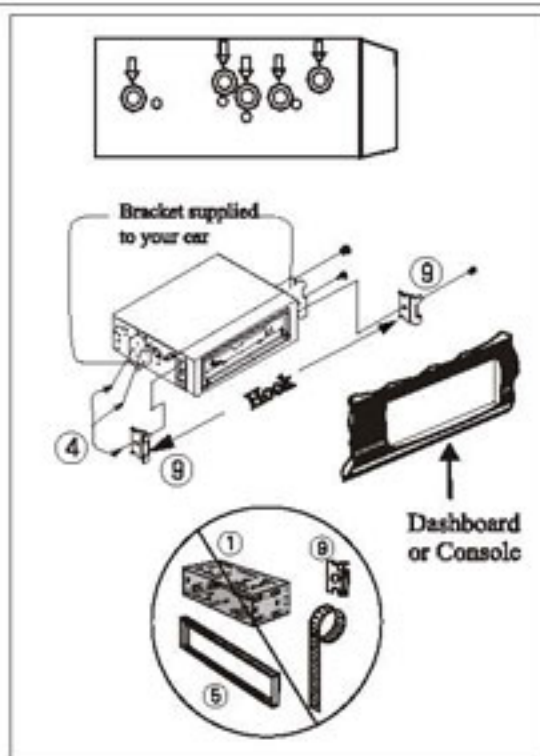
### Installation Method ②

Installation using the screw holes at the sides of the unit.

1. Remove the hooks on both sides.
2. Select a position where the screw holes of the mounting bracket supplied with the car and the screw holes of the main unit become aligned (are fitted), and tighten the screws (see ④) at 2 places on each side. And then fasten them to the car.

#### NOTE:

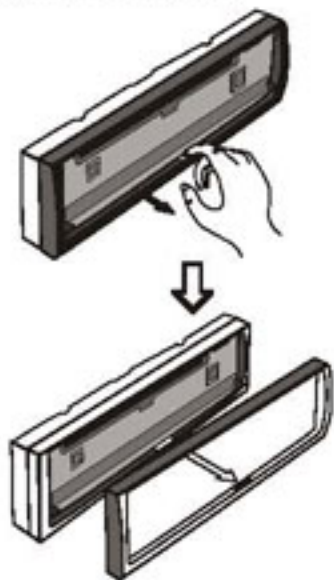
- Outer Trim Frame ⑤ Hook ⑨ and Mounting Sleeve ① are not used for installation method ②



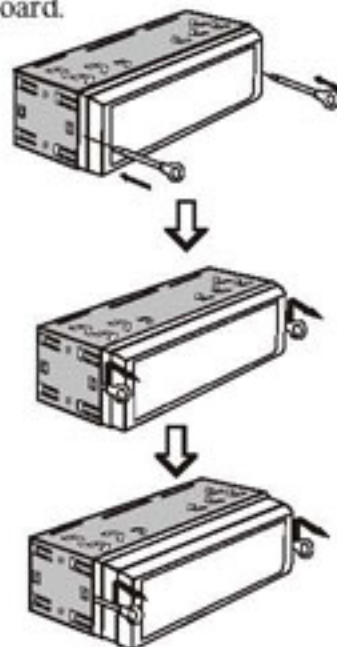
## Detach the Unit

Detach the front panel before disassembling the unit. For more details regarding this section, refer to “**Detach the Front Panel**” .

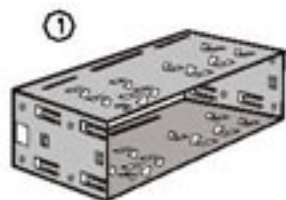
1. Take out the Outer Trim Frame after detaching the front panel.



2. Insert the keys supplied to the unit at both sides of the unit (shown as illustrated) until they click. Pulling the keys makes it possible to remove the unit from the dashboard.



### Parts List



Mounting Sleeve x1



Rear Mounting Bolt x1

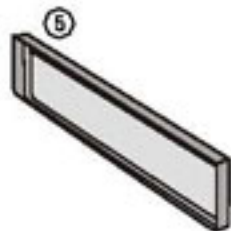


Harness Rubber x1

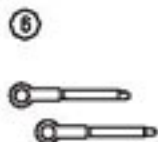


M 5 x 5

4 Screws



Outer Trim Frame x 1



Keys x 2



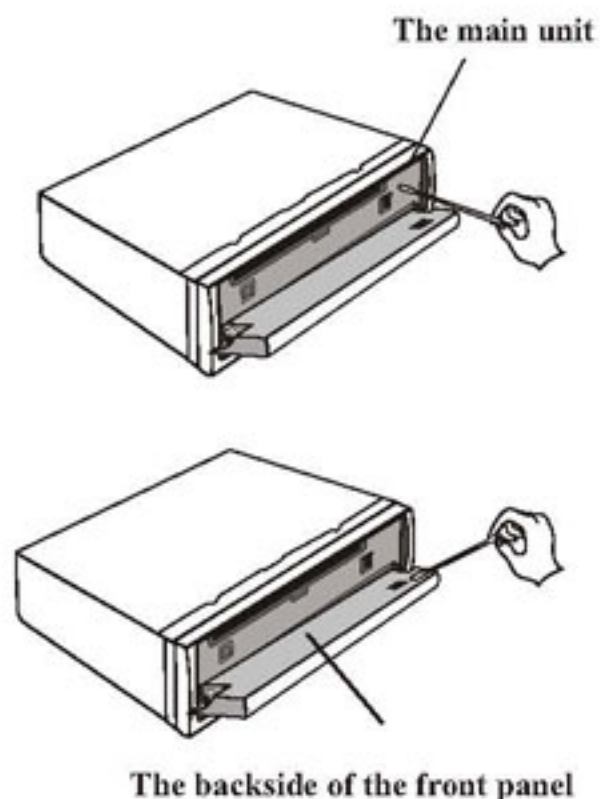
Connecting Wire x1



Steel Bar x 1

## Cleaning the Connector

If the connector between the main unit and the front panel is dirty, it may result in unit's abnormal working condition. To avoid such problems happening, please detach the front panel, and clean the connector with an alcohol swab. Gently clean and avoid damaging the connector.



■ **Notes:**

- \* For safekeeping, always shut down the generator and take out the key from the ignition before cleaning.  
Never keep your finger or any metal device touch the connector directly.



# Common Operations

## Reset the Unit

Before operating the unit for the first time or after replacing the car battery, the unit must be reset.

Remove the front panel at first, and then Press **⑩ RESET** button on the base with a pointed object, (such as a ballpoint pen) to set the unit to initial status.

### Note:

- \* When some errors occur on the display, you can also press **RESET** button to resume to normal, and it will erase the clock setting and some memorized functions.
- \* This function can only be operated by the head unit.

## Turning the Unit On/Off

Press **② PWR** button to turn on the unit, press it again, the unit is still in the waiting status. When insert a disc, the unit will automatically start playing. Keep pressing it to turn off the unit completely.

### Note:

- \* After the unit is off, the volume level is memorized during the area between 6 and 30. If the volume level is set less than 6, it will resume to 6; if it is higher than 30, it will resume to 30; if it is between 6 and 30, it still stores in the status which you set.
- \* Pressing **POWER** button on the head unit also performs the same operation.

## Volume Control

Press **⑫ VOL+** button to increase the sound level and press **⑫ VOL-** button to decrease the sound level.

### Note:

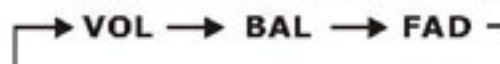
- \* Rotating **VOL** on the head unit also performs the same operation.

## Setting the Sound Characteristics

Repeatedly and briefly press **⑫ SEL** button to select the desired mode in following order:



- 1 After selecting the desired mode, you can adjust the current level by pressing **⑫ VOL** buttons.
- 2 If you don't adjust **⑫ VOL** buttons within 3 seconds after selecting the desired mode, the unit will automatically return to previous mode .
- 3 when **EQ** mode is activated, press **⑫ SEL** button to select modes, **BAS/TRE** are invalid. (Shown as below)



### Note:

- \* Pressing **SEL** button on the head unit to select mode.
- \* Rotating **VOL** on the head unit also performs the same operation.

## EQ Setting

While listening to the popular music, classic music or rock music, you can select the corresponding preset modes to adjust the sound quality perfectly by using **⑫ EQ** button. Repeatedly pressing **⑫ EQ** button to choose the following modes in turn:



### Note:

- \* when **EQ** system is on, Bass mode and Treble mode return to default setting, and "Bass" & "Treble" disappear.
- \* Pressing **EQ** button on the head unit also performs the same operation.

### Turning Loudness On/Off /My Best Position(MBP)

- 1 Press **22** **LOUD** button on the remote control to activate LOUD function. You can press this button to increase the low frequency, which can improve sensitivity for your ears. And **"LOUD"** appears. Press it again to shut down **"LOUD"** function.
- 2 Press **20** **MBP** button to activate MBP function. If there is no passenger in the car, you can perform MBP function and enjoy optimum sound.

LCD	F Speaker		R Speaker	
	L	R	L	R
MBP-A	0	-4dB	-4dB	-8dB
MBP-B	-4dB	0	-8dB	-4dB
MBP-OFF	0	0	0	0

Each time when you press and hold this button for 3 seconds, it will select the position as desired in the following order:



The corresponding mode will appear on the display.

If accurately adjusting the volume level needed, please use **SEL** button. (Refer to **"Setting the Sound Characteristics"** for more details)

#### Note:

- \* When activate BAL and FAD ( **"Setting the Sound Characteristics"** ), MBP mode will be turned off.
- \* This function is operated by using the remote control.

### Mute Function

Press **15** **MUTE** button to shut off the sound output. Press it again to resume to previous volume level.

#### Note:

- \* Pressing MUT on the head unit performs the same function.

### Displaying and Adjusting Time

**Time Displaying:** Press **19** (**DSP**) button, and the current time is shown on the LCD, and it returns to original status after 3 seconds.

**Time Adjusting:** Press and hold **19** (**DSP**) button until the two points in the middle of the clock stop blinking, you can rotate **12** (**VOL**) button to adjust hours, press **SEL** the minutes blink, rotate **VOL** button to adjust minutes.

#### Note:

- \* This function is operated by using the remote control.

### Force Disc Out

In the process of using it, when a disc is locked or can not be ejected, press the mainframe **MODE** button, and then press the **▲** button for three seconds, the disc will be forced out.

### Mode Selector

Press **1** **SOURCE** button to select radio mode or playback mode.

#### Note:

- \* Pressing **MODE** on the head unit also performs the same operation.

### AUX In (optional)

You can input the audio frequency into the main unit to increase the volume through AUX.

#### Note:

- \* The size of the AUX plug should be less than or equal to 8 mm.

### Infrared Sensor:

Receptor **14** on the head unit for the card remote commander.



## Basic operation of DVD

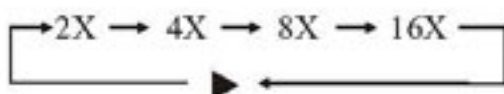
Insert a DVD disc into the slot, the unit will automatically switch on, if a DVD disc is loaded, press **1 SOURCE** on the remote control to start the playback.

### Note:

- \* Pressing **▲** button on the head unit also can eject a disc.

## Playing Track F.F/F.REW

Press **6 ◀** or **▶** to play the track fast forward or fast rewind: each pressing, the change is as following:



### Note:

- \* Pressing **12** button on the head unit also performs the same operation.

## Number Buttons

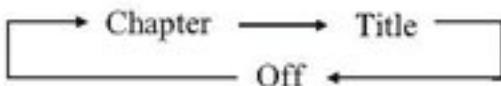
press **5 Number Buttons** to input the desired tracks, then it will be played automatically.

### Note:

- \* This function is operated by using the remote control.

## Repeat Playing

press **11 RPT** on the remote control to replay as following:



### Note:

- \* Pressing RPT on the head unit also performs the same operation.
- \* The default setting is **DISC REPEAT**.

## Stop the playback

During DVD mode, firstly pressing **16 ■** to pause playing, pres **9 ||** to play, press **■** button twice to stop playing completely, press **PLAY** button to start playing.

### Note:

- \* keep pressing **▶** on the head unit also performs the same function.

## Pause the playback

During DVD mode, press **9 ||** to switch pause and play mode, during stop mode, press it again to resume to the playback mode.

### Note:

- \* Pressing **▶** on the head unit also performs the same function.

## Playing the Previous/Next Track

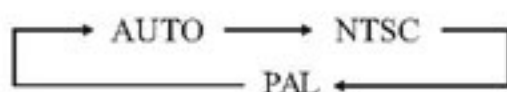
During DVD playback, firstly press **6 ◀** to replay the current track, then press **6 ◀** within 3 seconds to play the previous track, press **▶** to play the next track.

### Note:

- \* Pressing **12** button on the head unit also performs the same operation.

## System Button

During DVD playback, press **15** P/N button to select standard TV system as following:



### Note:

\* This function also can be operated by the DVD SETUP MENU

## Slow motion playback

Press **8** to slow forward or slow backward. There are such speeds each pressing decreases the speed until the minimum speed is reached as follows:

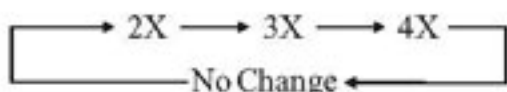


### Note:

\* This function is operated by using the remote control.

## Increase the size of the picture

Press **17** ZOOM to increase the picture in size. There are such sizes as following:

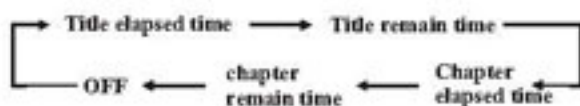


### Note:

\* This function is operated by using the remote control.

## On-screen display

During DVD playback, press **7** OSD, the monitor shows:



### Note:

\* This function is operated by using the remote control.

## Setting the Playing Time

During DVD mode, press **26** GOTO button to set the playing time, when the TFT display : *title/chapter/sound/captions/angle/title time/chapter time/repeat playing/time option*. Press **6** [**▲**] [**▼**] to select the options, press ENTER to set the status. Then press **5** NUMBER BUTTONS or **6** [**▶**] [**◀**] to set the current status.

### Note:

\* This function is operated by using the remote control.

## Changing the viewing angle (Multi-angle)

With DVDs featuring multi-angle (scenes shot from multiple angles) recordings, you can press **27** ANGLE to switch among viewing angles during playback.

Selection options switch as follows:

**ANGLE 1** — **ANGLE 2** — **ANGLE 3**

### Note:

- \* This function is operated by using the remote control.
- \* This function is only operated by DVD with multi-angle recordings.
- \* This mark on a DVD package indicates it features multi-angles scenes. The number in the mark indicates the number of angles from which scenes were shot.
- \* If you press ANGLE during fast forward/fast reverse or pause, fast forward/fast reverse or pause is canceled and normal playback resumes but the viewing angle does not change.



## Changing audio language (Multi-audio)

DVDs can provide audio playback with different languages. With DVDs featuring multi-audio recordings, you can press **3** **AUDIO** to switch between language and audio systems during playback.

Selection options switch as follows:

**AUDIO 1 — AUDIO 2 — AUDIO 3**

### Note:

- \* This function is operated by using the remote control.
- \* This function is only operated by DVDs with multi-audio recordings.
- \* The number in the “**3**” mark on a DVD's package indicates the number of recorded languages/audio systems.

## Changing the subtitle language (Multi-subtitle)

With DVDs featuring multi-subtitle recordings. You can press **4** **SUB-T** to switch between subtitle languages during playback.

Selection options switch as follows:

**Subtitles 1 — Subtitles 2 — Subtitles OFF**

### Note:

- \* This function is operated by using the remote control.
- \* The function is only operated by DVDs with multi-subtitle recordings.
- \* The number in the “**2**” mark on a DVD's package indicates the number of recorded subtitle languages.

## Selecting Different Menu/Title

Under DVD playback mode, press **24** **MENU** or **25** **TITLE** to return to the root menu or the title menu, the monitor display all the chapters or all titles. You can press **6** and **5** **Number Buttons** on the remote control to select different chapter or title.

### Note:

- \* This function is operated by using the remote control.

## SET UP MENU

During DVD playback, press **18** **SET UP**, the screen will display system setting picture, the user can select some relative constant parameters. The user also can set it as needed by moving the cursor and using **6** [**▲**][**▼**][**◀**][**▶**] buttons, and then press **6** **ENTER** to execute the selecting or entering item.

### Note:

- \* If the disc that is inserted does not have the preferred option then the disc's own preference will be used.
- \* Regarding SETUP MENU, please refer to pages 22-27 for more details.
- \* Some functions varies depending on the types of models or formats of the disc.

**--General Setup Page--****TV Display**

Example showing how to set TV Display mode:

(Press ▲ or ▼)

--General Setup Page--

TV Display	Wide
AngleMark	On
OSDLang	Eng
Captions	Off
Screen Saver	On

Go ToGeneral Setup Page



(Press ►, ▲ or ▼, then press ENTER)

--General Setup Page--

TV Display	Wide	Normal/PS
AngleMark	On	Normal/LB
OSD Lang	Eng	Wide
Captions	Off	
Screen Saver	On	

Set TV Display mode

**Angle Mark**

Example showing how to set picture mode:

(Press ▲ or ▼)

--General Setup Page--

TV Display	Wide
AngleMark	On
OSDLang	Eng
Captions	Off
Screen Saver	On

Go ToGeneral Setup Page



(Press ►, ▲ or ▼, then press ENTER)

--General Setup Page--

TV Display	Wide	
Angle Mark	On	On
OSD Lang	Eng	Off
Captions	Off	
Screen Saver	On	

Set AngleMark

**OSD Lang**

Example showing how to set language mode:

(Press ▲ or ▼)

--General Setup Page--

TV Display	Wide
AngleMark	On
OSDLang	Eng
Captions	Off
Screen Saver	On

Go ToGeneral Setup Page



(Press ►, ▲ or ▼, then press ENTER)

--General Setup Page--

TV Display	Wide	
Angle Mark	On	
OSD Lang	Eng	English
Captions	Off	
Screen Saver	On	

Set OSD Language

**--General Setup Page--****Captions**

Example showing how to set captions on/off:

(Press ▲ or ▼)

--General Setup Page--

TV Display	Wide
Angle Mark	On
OSD Lang	Eng
Captions	Off
Screen Saver	On

Go To General Setup Page



(Press ►, ▲ or ▼, then press ENTER)

--General Setup Page--

TV Display	Wide	
Angle Mark	On	
OSD Lang	Eng	
Captions	Off	On
Screen Saver	On	Off

Closed Captions

**Screen Saver**

Example showing how to set Screen Saver on/off:

(Press ▲ or ▼)

--General Setup Page--

TV Display	Wide
Angle Mark	On
OSD Lang	Eng
Captions	Off
Screen Saver	On

Go To General Setup Page



(Press ►, ▲ or ▼, then press ENTER)

--General Setup Page--

TV Display	Wide	
Angle Mark	On	
OSD Lang	Eng	
Captions	Off	
Screen Saver	On	On
		Off

Screen Saver

**--Dolby Digital Setup--**

**Dual Mono** Example showing how to set stereo mode:

(Press ▲ or ▼)

--Dolby Digital Setup--

Dual Mono
Dynamic

Go To Dolby Digital Setup

→

(Press ►, ▲ or ▼, then press ENTER)

--Dolby Digital Setup--

<b>Dual Mono</b>	<b>Stereo</b>
Dynamic	L-Mono
	R-Mono
	Mix-Mono

Dual Mono (1+1) Setup

**Dynamic** Example showing how to set dynamic range compression:

(Press ▲ or ▼)

--Dolby Digital Setup--

Dual Mono
Dynamic

Go To Dolby Digital Setup

→

(Press ►, ▲ or ▼, then press ENTER)

--Dolby Digital Setup--

Dual Mono											
<b>Dynamic</b>	<table border="1"> <tr><td>---</td><td>FULL</td></tr> <tr><td>---</td><td>3/4</td></tr> <tr><td>---</td><td>1/2</td></tr> <tr><td>---</td><td>1/4</td></tr> <tr><td>---</td><td>OFF</td></tr> </table>	---	FULL	---	3/4	---	1/2	---	1/4	---	OFF
---	FULL										
---	3/4										
---	1/2										
---	1/4										
---	OFF										

Set DRC off



## ---Preference page---

**TV Type**

Example showing how to set TV type:

(Press ▲ or ▼)

--Preference Page--

TV Type	Auto
Audio	Eng
Subtitle	Eng
Disc Menu	Eng
Parental	
Password	
Default	

Go To Preference Page



(Press ►, ▲ or ▼, then press ENTER)

--Preference Page--

TV Type	Auto	PAL
Audio	Eng	Auto
Subtitle	Eng	NTSC
Disc Menu	Eng	
Parental		
Password		
Default		

Set TV Standard

**Audio**

Example showing how to set Audio language:

(Press ▲ or ▼)

--Preference Page--

TV Type	Auto
Audio	Eng
Subtitle	Eng
Disc Menu	Eng
Parental	
Password	
Default	

Go To Preference Page



(Press ►, ▲ or ▼, then press ENTER)

--Preference Page--

TV Type	Auto	
Audio	Eng	English
Subtitle	Eng	
Disc Menu	Eng	
Parental		
Password		
Default		

Preferred Audio Language

**Subtitle**

Example showing how to set subtitle language:

(Press ▲ or ▼)

--Preference Page--

TV Type	Auto
Audio	Eng
Subtitle	Eng
Disc Menu	Eng
Parental	
Password	
Default	

Go To Preference Page



(Press ►, ▲ or ▼, then press ENTER)

--Preference Page--

TV Type	Auto	
Audio	Eng	
Subtitle	Eng	English
Disc Menu	Eng	Off
Parental		
Password		
Default		

Preferred subtitle Language

## ---Preferences page---

**Disc Menu** Example showing how to set Disc Menu Language:

(Press ▲ or ▼)

--Preference Page--

TV Type	Auto
Audio	Eng
Subtitle	Eng
Disc Menu	Eng
Parental	
Password	
Default	

Go To Preference Page

→

(Press ►, ▲ or ▼, then press ENTER)

--Preference Page--

TV Type	Auto	
Audio	Eng	
Subtitle	Eng	
Disc Menu	Eng	English
Parental		
Password		
Default		

Preferred Menu Language

**Parental** Example showing how to set parental control:

(Press ▲ or ▼)

--Preference Page--

TV Type	Auto
Audio	Eng
Subtitle	Eng
Disc Menu	Eng
Parental	
Password	
Default	

Go To Preference Page

→

(Press ►, ▲ or ▼, then press ENTER)

--Preference Page--

TV Type	Auto	2 G ▲
Audio	Eng	3 PG
Subtitle	Eng	4 PG 13
Disc Menu	Eng	5 PGR
Parental		6 R
Password		7 NC 17
Default		8 Adult
		Off

Set Parental Control

**Password** Example showing how to set password, and the default password is 8888.

(Press ▲ or ▼)

--Preference Page--

TV Type	Auto
Audio	Eng
Subtitle	Eng
Disc Menu	Eng
Parental	
Password	
Default	

Go To Preference Page

→

(Press ►, ▲ or ▼, then press ENTER)

--Preference Page--

TV Type	Auto	
Audio	Eng	
Subtitle	Eng	
Disc Menu	Eng	
Parental		
Password		Change
Default		

Change Password

## ---Preferences page---

**Default** Example showing how to set load factory setting:

(Press ▲ or ▼)

--Preference Page--

TV Type	Auto
Audio	Eng
Subtitle	Eng
Disc Menu	Eng
Parental	
Password	
Default	

Go To Preference Page

➔

(Press ▶, ▲ or ▼, then press ENTER)

--Preference Page--

TV Type	Auto
Audio	Eng
Subtitle	Eng
Disc Menu	Eng
Parental	
Password	
Default	Reset

Load Factory Setting

## Basic operation of Discs/USB

**Playing VCD/CD/MP3** Insert a disc into the slot, the unit will automatically switch on, if a disc is loaded, press **9** MODE to start the playback.

**Playing USB**, unplug the rubber plug first, second insert the USB plug to port **7**, then it will play automatically. If the USB is inserted, press **9** MODE to start the playback.

### Note:

- \* If A USB is inserted, it will play automatically when you close the front panel no matter what mode it is now.
- \* **9** SOURCE also can be used to change mode

## Playing the Previous/Next Track

During MP3/USB playback, press **6** ▲ to play the previous track, press ▼ to play the next track.

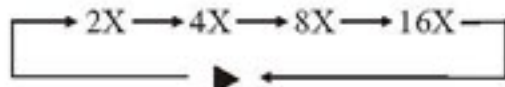
During VCD/CD playback, firstly pressing **6** ⏮ to replay the current track, press **6** ⏮ within 3 seconds to play the previous track, press ⏭ to play the next track.

### Note:

- \* Pressing **12** ⏮ / ⏭ button on the head unit also performs the same operation.

## Playing Track F.F/F.REW

Press **6** ⏩ or ⏪ to play the track fast forward or fast backward: each pressing, the change is as following:



### Note:

- \* Pressing **12** button on the head unit also performs the same operation.

## Repeat Playing

During playback, press **11** RPT to replay the current track. Press it again to cancel this function.

### Note:

- \* Pressing RPT on the head unit also performs the same operation.
- \* The default setting is Disc Repeat.

## Playing Tracks in Random Order

During VCD/CD playback status, when pressing **14** RDM button on the remote control, the unit plays any track at random under the directory which you select. Press RDM again to return to normally playing.

### Note:

- \* Pressing RDM on the head unit also performs the same operation.

## Stop the playback

During MP3/USB mode, press **16** ■ to pause playing, press it again to play the current track.

During VCD/CD mode, firstly pressing **16** ■ to pause playing, press **9** || to play, press ■ button twice to stop playing completely, press PLAY button to start playing.

### Note:

- \* keep pressing ⏭ on the head unit also performs the same function.



# VCD/CD/MP3/USB

## Pause the Playback

During playback, press **9** **||** button to suspend the playback, Press it again to return to normal playback.

### ▣ Note:

- \* Pressing **▶||** on the head unit also performs the same operation.

## Scanning Tracks Automatically

During CD status, press **13** **INT** button to play the first 10 seconds of each track on the disc, and the display shows *the track number* and *the elapsed time*. Press it again to resume normal playback.

### ▣ Notes:

- \* This function can only be operated by the head unit.
- \* It is valid in DISC REPEAT mode.

## ID3 Function

During MP3/USB status, press **25** **BAND** button to switch between **ID3 ON** and **ID3 OFF**.

During **ID3 ON** mode, the LCD displays the current moving Mp3 information.

During **ID3 OFF** mode, to perform the common Mp3 operation directly.

### ▣ Notes:

- \* Pressing **BAND** on the head unit performs the same function.

## System Button

During VCD playback status, press **15** **P/N** button to set the TV standard to **AUTO**, **NTSC** or **PAL** system.

### ▣ Note:

- \* This function is operated by using the remote control.

## Slow motion playback

During VCD mode, press **8** **▶** to slow forward or slow backward. There are such speeds each pressing decreases the speed until the minimum speed is reached.



### ▣ Note:

- \* This function is operated by using the remote control.

## Increase the size of the picture

During VCD mode, press **17** **ZOOM** to increase the picture in size. There are such sizes as following:

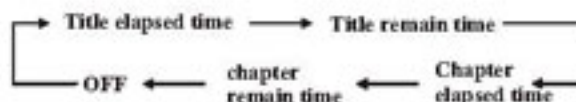
2X → 3X → 4X

### ▣ Note:

- \* This function is operated by using the remote control.
- \* Perform this function with the **6** button.

## On-screen display

During VCD/CD playback, press **7** **OSD**, the monitor shows:



### ▣ Note:

- \* This function is operated by using the remote control.

## Eject a disc

Press **2** **REL** on front panel and press **▲** on to eject a disc.

### ▣ Note:

- \* This function is operated by head unit only.

## Number Buttons

During playback status, you can select any track directly by using **5** **Number Buttons( 0~9)**. For example, if you need the 15th track, you can firstly press **Button 10+**, and then press **Button 5**, the corresponding track (15th) will be played.

### Note:

- \* This function is operated by using remote control only.
- \* The continuously pressing should be within every 3 seconds.

## Setting the Playback Time

During CD playback, firstly press **26**, and TFT shows : *disc playback time:--:--*, press your desired time of the playback by using number buttons.

Secondly press GOTO button, *the tracks time* appears on TFT, also input your desired numbers to play the current time of your selection.

During VCD mode, press **26** GOTO button to set the playing time, when the TFT display : *title/chapter/sound/captions/angle/title time/chapter time/repeat playing/time option*. Press **6** [▲] [▼] to select the options, press ENTER to set the status. Then press **5** NUMBER BUTTONS or **6** [▶] [◀] to set the current status.

### Note:

- \* This function is operated by using the remote control.

## MO/ST Selector

During VCD playing, repeatedly press **3** **AUDIO** button to select the mode as bellow:

Mono left → Stereo → Mono right

### Note:

- \* This function is operated by using the remote control.

## Program Playing

During VCD mode, press **10** PGM, the TFT displays the program menu. Pressing **NUMBER BUTTONS** to select the track Number and then press **6** to move the cursor to **START**, press **ENTER** to start program playing; move the cursor to **EXIT** and press **ENTER** to exit the program playing. Move the cursor to **◀** and press **ENTER** to the last page; move the cursor to **▶** and press **6** **ENTER** to the next page. During this process, press **16** ■ to cancel the program playing.

### Note:

- \* The function is only valid on remote control.

## Playing PBC (Menu)

During VCD status, firstly pressing **25** **TITLE**, PBC playback starts and **the menu of entire disc** appears on the monitor. And then you can select your favorite track by using **Number Buttons 5**. When a track is playing, you can press **24** **MENU** button to return the menu if you would like to end the track and select others. To cancel PBC playing, press **25** **TITLE** button again.

### Note:

- \* This function is operated by using the remote control.
- \* **PBC** playing confirms to version 2.0 of SVCD/VCD disc only.

## Exit an USB

The main unit will keep the previous mode when exit the USB.

### Note:

- \* Fit on the harness rubber after exiting the USB.

# MP4

## Basic operation of Mp4

Insert a Mp4 disc into the slot, the unit will automatically switch on, if a disc is loaded, press **1** SOURCE to start the playback.

**Note:**

- \* You can press **▲** button on the base to eject the Mp4 disc.

## Number Buttons

During MP4 status, you can select any tracks directly by using **5** Number Buttons( 0~9). The track you selected will be played automatically.

**Note:**

- \* This function is operated by using remote control only.

## Stop the playback

During Mp4 playback, firstly press **16** ■ to pause playing, then press **9** || to play from the beginning of the disc, During stop status, press || pause to resume playing state.

**Note:**

- \* Keep pressing **▶** on the head unit also performs the same operation.

## Pause the Playback

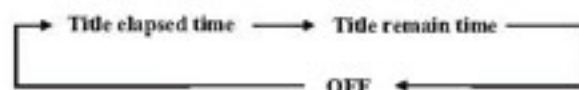
During playback, press **9** || button to suspend the playback, Press it again to return to normal playback.

**Note:**

- \* Pressing **▶** on the head unit also performs the same operation.

## On-screen display

During Mp4 playback, press **7** OSD, the monitor shows:



**Note:**

- \* This function is operated by using the remote control.

## Setting the Playback Time

During Mp4 playback, firstly press **26** GOTO, and TFT shows : *disc playback time:--:--*, press your desired time of the playback by using number buttons.and press ENTER to set the status.

**Note:**

- \* This function is operated by using the remote control.



## Band Selector

During radio status, repeatedly press **25** **BAND** button to select bands in the following order:



(For Two Bands)



(For Three Bands)

### Note:

- \* Pressing **11** **BAND** button on the head unit performs the same function.
- \* Press and hold **BAND** button to change the band between USA and Europe.

## Manual/Automatic Tuning

**Manual Tuning:** Repeatedly press **6** (**▶▶** or **◀◀**) button downward or upward on the remote control to select a station respectively.

**Automatic Tuning:** Press and hold **6** (**▶▶** or **◀◀**) button for more than 3 seconds, the radio automatically searches a station downward or upward respectively and plays when it finds a station.

### Note:

- \* Pressing **12** button on the head unit also performs the same operation.

## DX/LOC Selector

During radio status, press **4** **LOC** button on the remote control to select strong or weak station reception.

- 1 It is set to LOC mode when **4** **LOC** button is first pressed. “**LOC**” appears on the display and only local station is available.
- 2 It is switched to DX mode when **4** **LOC** is pressed again. Both distance and local stations can be received.

### Note:

- \* The initial mode is DX mode.
- \* LOC mode is functional only in selecting and memorizing stations.
- \* Pressing LOC on the head unit performs the same function.

## MO/ST Selector

During radio status, you can press **3** **ST** button on the remote control to select **Mono** mode or **Stereo** mode.

- 1 Stereo reception is available when “**ST**” appears on the LCD, and when Stereo is received, the “**STEREO**” will appear on the LCD.
- 2 It is switched to **MONO** mode when “**ST**” and “**STEREO**” disappear.

### Note:

- \* This function is operated by pressing the remote control only.



# Tuner

## Scanning/Memorizing Stations Automatically

During radio status, you can press **AMS** button on the remote control to scan each stored station 5 seconds respectively which stored in **Number Buttons** (from 1 to 6). You can press the corresponding Number Buttons or AMS button when your desired station is charged. And it starts playing that station.

When press and hold **AMS** button, it will activate automatically memory storing function. The radio automatically selects a station and has it stored in any one of the Number Buttons from 1 to 6.

### Notes:

- \* The unit can be stored up to 6 stations for each band.
- \* Regarding the function of Number Buttons, refer to **Number Buttons** for more information.
- \* Pressing AMS button on the head unit performs the same function.

## Number Buttons

During radio mode, **Number Buttons from 1 to 6** can help you store your favorite station. You can follow the steps as below:

When receiving a station, press and hold any one of the Number Buttons until "**CH**" appears in the LCD, which indicates that station has already been stored in the corresponding number button.

You can store up to 18 FM stations (6 each for FM1, FM2, FM3), up to 12 AM stations (6 each for AM1/MW and AM2/LW).

### Note:

- \* This function is operated by pressing the remote control only.

## Selecting the Stored Station

During radio mode, press **▲** to select the upward stored station, press **▼** to select the downward stored station.

### Note:

- \* This function is only operated by using remote control.

# Additional Information

## Simple Troubleshooting Guide

The following checklist might help to solve the problems which you meet when using the unit. Please double check and make sure if the connection and the procedure of the operation is properly before using the checklist below .

<b>Problem</b>	<b>Cause/Solution</b>
<b>No power.</b>	<ul style="list-style-type: none"> <li>• Check and make sure whether the fuse is blown, replace with the proper value if necessary.</li> </ul>
<b>Some errors occur in the LCD or no function when pressing the button.</b>	<ul style="list-style-type: none"> <li>• Press <b>RESET</b> button.</li> </ul>
<b>Unable to receive stations.</b>	<ul style="list-style-type: none"> <li>• Check and make sure whether the antenna is inserted or the antenna is properly connected, if not, insert the antenna or connect it properly.</li> </ul>
<b>Poor effect on receiving a station.</b>	<ul style="list-style-type: none"> <li>• Antenna may not be the proper length. Make sure the antenna is fully extended; if broken, replace the antenna with a new one.</li> <li>• The antenna is poorly grounded, check and make sure the antenna is properly grounded at its mounting location. .</li> </ul>
<b>CDs cannot be loaded.</b>	<ul style="list-style-type: none"> <li>• A CD is loaded in the mechanism.</li> </ul>
<b>Sound skips.</b>	<ul style="list-style-type: none"> <li>• The CD is dirty or damaged.</li> </ul>
<b>No images.</b>	<ul style="list-style-type: none"> <li>• The Video line from main unit to the TV is not connected properly.</li> </ul>
<b>Images skip.</b>	<ul style="list-style-type: none"> <li>• Improper setting of the color system. Set the color system to "PAL" or "NTSC" according to the connected television.</li> </ul>

*Note:*

*If any of the problem persist after check list had been made, consult your nearest service dealer. Never attempt to disassemble your unit by yourself.*



***Due to continuous product improvement, the operations are subject to run the model.***